

CEDAR HILL GUN CLUB
N.S.C.A. Registered Sporting Clays Shoot
Summer Shoot Out
Sunday Aug. 15, 2010 100 Targets

Gun Club Phone (785) 843-8213 918 E 1650 Rd Baldwin, KS 66006 Just 6 miles from Lawrence

Shoot starts at 9:30 A.M. No entries after 4:30 P. M.

Gift Certificate Each Class
M,AA,A,B,C,D,E,Lady's,Sub.Jr,Jr.,Vet.,SuperVet,SenSupVet

Annual Memberships Available on Grounds

Practice Shooters Welcome

Targets, Taxes, Fees ----- **\$40.00**

Ties Decided by Long Run

OPTIONS

Class Purse ----- \$10.00 2 Places (60/40)

Lewis Class ----- \$10.00 15 or less 3 classes,
 16 or more 4 classes

All options are paid back 100%, ties divide

NSCA and Club rules are in effect **OPEN EVERY THURSDAY 2 PM AND SATURDAY AND SUNDAY -**
 Lunch and shells are available **10:00 TO 5:00. FOR SPORTING CLAYS, 5-STAND, TRAP, PRACTICE &**
LEAGUE. LIGHTED TRAP AND 5-STAND FOR NIGHT SHOOTING.

5 STAND WILL BE OPEN ALL Day

25 Bird 5 - Stand

Entry Fee ----- \$10.00

\$5.00 of each entry will be put in a Lewis.

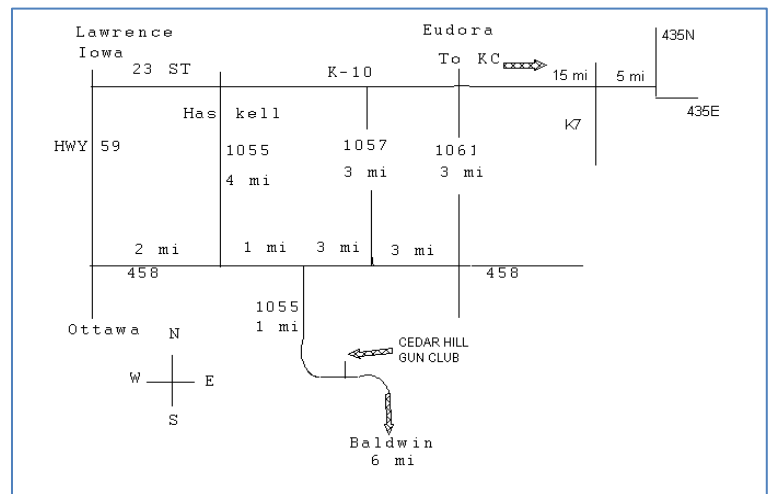
10 or less 2 Places, more than 10

3 Places. Ties Divide -- Reentry Allowed

Notice: We will not be mailing out results unless you request it, at the day of the shoot. As it will be posted on our web site. We will only mail payouts.

[Http://www.cedarhillgunclub.com](http://www.cedarhillgunclub.com)

Next Shoot will be Sept. 6 Labor Day
Small Bore Not Registered



Cedar Hill Gun Reserves the right to change or alter this program at any time.